

BW10-1550-T-T7



BANDWIDTH10, LTD.

Description:

Bandwidth10's BW10-1550-T-T is part of a family of lasers based on the innovative High Contrast Grating (HCG) single mode 1550 nm VCSEL.

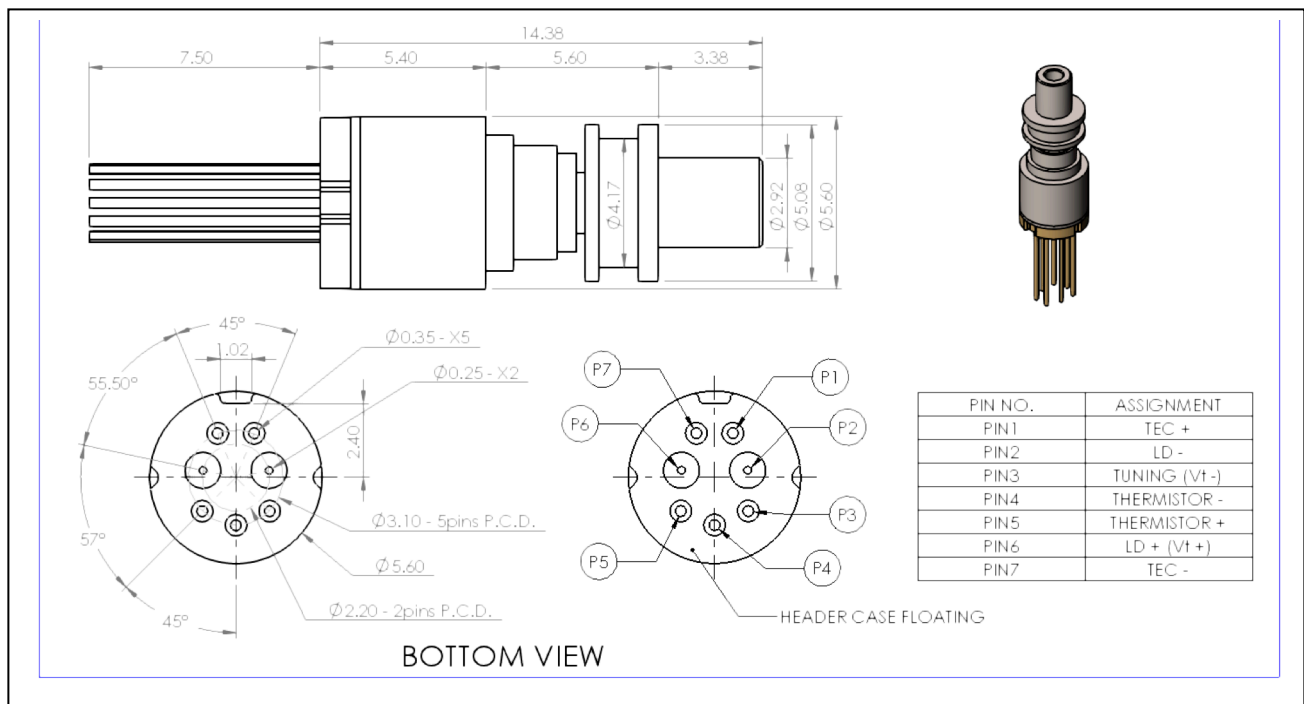
Applications:

- Fast Wavelength Tuning
- Multiple Channels

Features:

- TO-56 7Pin Small Form Footprint
- LC Fiber Connector, (1.25mm Fiber)
- Integral TEC (Temperature Stabilization)
- CW Optical Output Power: Typical 1mW (@20°C TEC Temperature)
- Single Mode VCSEL (~1550nm)
- Wide Tuning Range: >10nm
- High Modulation Band
- Power Dissipation: < 40mW

Dimensional Drawing and Pin Assignment



CAUTION: Device is sensitive to electrostatic discharge.

General Operating Table

Parameter	Symbol	Values			Unit
		Min	Typical	Max	
Optical Output Power	P	-3 @20° C		1 @20° C	dBm
Operating Current	I _{LD}	0	18	25	mA
Operating Temperature	T _{op}	0	20	50	°C
Center Wavelength	λ		1550		nm
Threshold Current	I _{th}		10		mA
Laser Drive Voltage	V _{CC}	0	1.7	2.5	V
Differential Resistance	R _d		50		Ω
Tuning Range (> 250μW)	Δλ	-	10	-	nm
Max. Mechanical Tuning Response	f _{max}	100	200	-	kHz
Tuning Voltage	V _{tune}	0	Test Sheet	Test Sheet	V
Tuning Current	I _{tune}	0	-	100	μA

Order and Contact Information

Module Number	Contact Information	
BW10-1550-T-T7	Bandwidth10, Ltd. 1218 7 th Street Suite A Berkeley, CA 94710	Email: rlucas@bandwidth10.com